

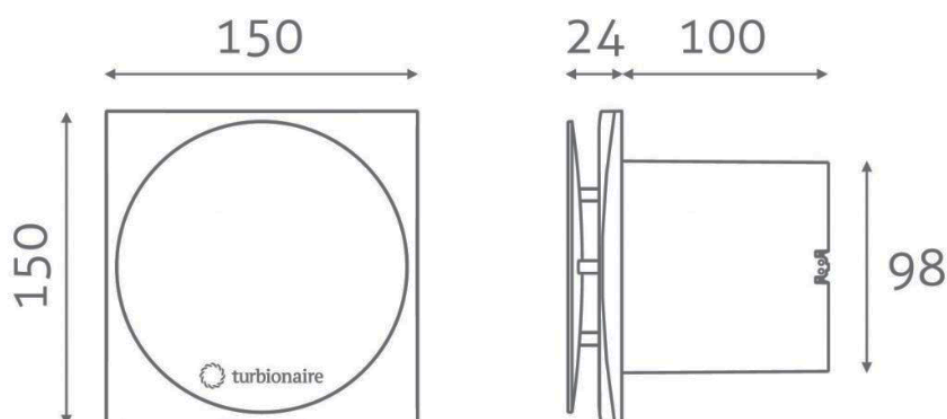
MIO 100 LL - TW



- **Robust shutter** included
- **Motor thermal protection**
- **High-performance** silicon engine
- Available connection **diameters: 100mm**
- **Material: LG ABS**

Model	MIO 100 LL-TW
Colour	White
Voltage (V)	220 – 240
Power (W)	15
Air Volume (m ³ /h)	80
Size (mm/inch)	100/4"
Noise Level (Db)	33
Connection diameter (mm)	100
Installation	Wall
Colour	White
Timer	Yes

Dimensions (mm)



Performance curve

